

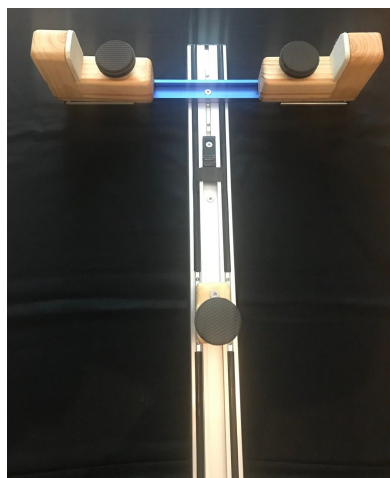
# Parts List Guitar Workbench revision 02

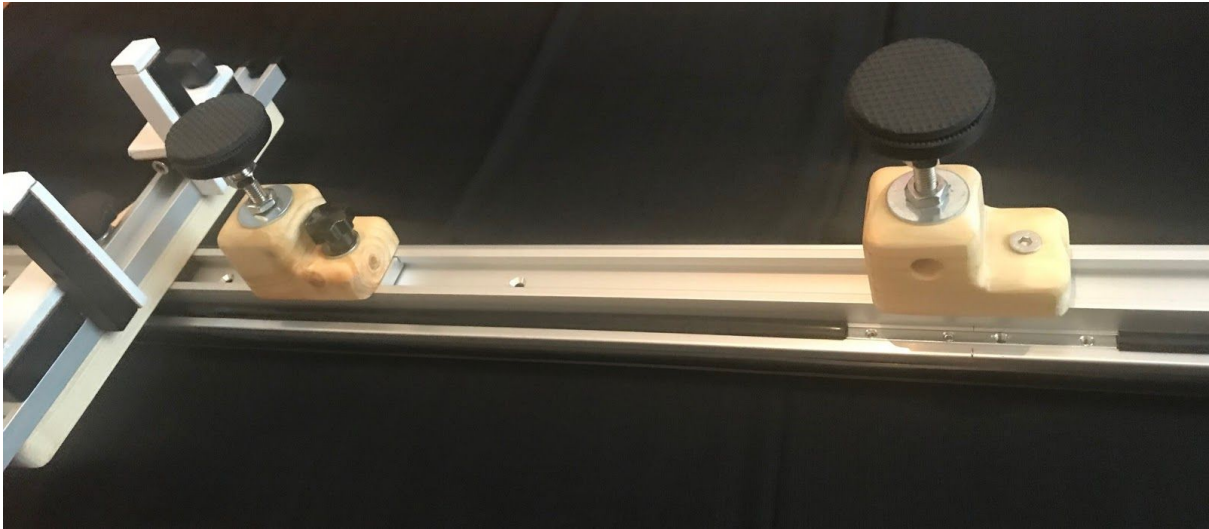
24.12.2019

## Some basic considerations:

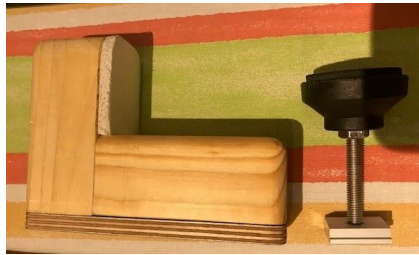
- Protect all sharp edges and corners of this construction with some foam or cork. You will not regret it. If you don't do it, your first damaged finish will tell you.
- I am open for constructive additions or improvements of this construction. Please write me (FB Chat) if you find some better way to do things or details of it.
- I am not responsible for what AliExpress delivers to you. And I do not get a dime for it anyway.
- Some of the material can only be bought in bulk, but the price is still very low. You can use those leftovers for another project or additions.

## Overview:





### Parts List:



- **5x** D50, M8  
Adjustable Furniture Glide Leveling Feet Pad

<https://s.click.aliexpress.com/e/B5hznNWux>



- **5x** M8 T-slot T-Slider Sliding Nut For Woodworking Tool Slot Fastener Jigs Pressing Plate T Slot Nut Woodworking Tool

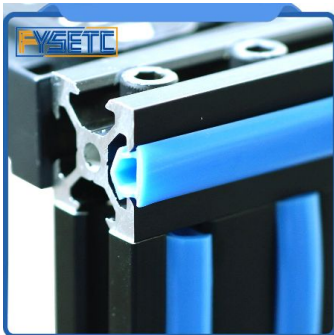
<https://www.aliexpress.com/item/4000061211432.html?spm=a2g0o.cart.0.0.6c693c00ztHOMN&mp=1>



- **4pcs** M8 length 30mm

Thread Length 16mm To 50mm Star Shaped Head Clamping Screws Knob

<https://www.aliexpress.com/item/32918013148.html?spm=a2g0o.placeorder.0.0.45e4321ecLerjn&mp=1>



**I took this originally for aesthetics, but when I put it on the profile the complete construction was almost sticking on the table. Valuable side effect, it does not slide and it keeps things firm on the table or any flat surface.**

To easily put this on the profile start on one end and push first one side of the plastic profile in, with a Credit Card or similar thin tool push the other side steady in. The material is so sticky you can not just pull it through.

- **1x 5 meter** 6mm Flat Seal 2020 Aluminum Profile Slot Cover / Panel Holder  
Black/orange/Blue

<https://www.aliexpress.com/item/32849577066.html?spm=a2g0s.9042311.0.0.27424c4dfX9wmp>



I took only square 2020 as there are no 2060, and this way you can take them easier off if they are not too big (tend to break).

- 10pcs square 2020  
Aluminum profile end cap 2020 Plastic End Cap Cover Plate black for EU Aluminum Profile

<https://www.aliexpress.com/item/33024239440.html?spm=a2g0s.9042311.0.0.27424c4dcooBCL>

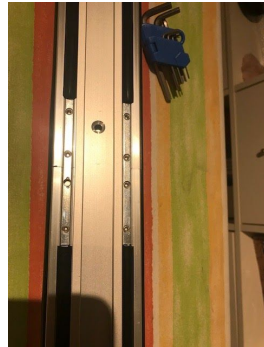


You need 1000mm length. Here I took two pieces instead of one of 1000mm (also available) because

- a) it is cheaper to send not so long pieces
- b) but mainly because you can take it apart for transportation in smaller pieces, therefore:
  - 1pcs 400mm
  - 1pcs 600mm

2060 Aluminum Profile 2060 Extrusion European Standard Anodized Linear Rail

<https://www.aliexpress.com/item/32988006912.html?spm=a2g0s.9042311.0.0.27424c4d9BiDKr>



#### To connect the above two pieces

- **10PCS** Link Connector Joint Aluminum Profile Length Extension Zinc Plated Fastener for 2020 Aluminum Profile

<https://www.aliexpress.com/item/32892103831.html?spm=a2g0s.9042311.0.0.27424c4d9BiDKr>



#### To be used with the above connectors

- **50Pcs** M5, 5mm Silver Stainless Steel 12.9 Hexagonal Steel Allen Grub Point Screw Bolts

<https://s.click.aliexpress.com/e/o452Jvn6F>



**These two profiles are just used to add height so the construction is stable (see picture). Do not forget to add also here the plastic slot cover**

- **2pc** a 100mm 2020 Aluminum Profile 2020 Extrusion European Standard Anodized Linear Rail

<https://www.aliexpress.com/item/32813616949.html?spm=a2g0s.9042311.0.0.27424c4d9BiDKr>



Use these or the long once above to add new elements to the main construction

- **20pcs/lot M5**

T Sliding Hammer Nut Block Square Nuts M5 Nut 2020 Aluminum Profile Slot Zinc Coated Plate Aluminum Accessories

<https://www.aliexpress.com/item/33011200943.html?spm=a2g0s.9042311.0.0.27424c4dHLQuF6>



- **10pcs M5** Length: 10mm Din7991 Stainless Steel 304 Or Black Grade 10.9 Hexagon Hex Socket Flat Head Countersunk Screw

<https://www.aliexpress.com/item/4000021030693.html?spm=a2g0s.9042311.0.0.27424c4d8kNmLp>



Used in the constructions below the neck

- **10Pcs/set M8, 20mm (you need only 2)**

Furniture Cross Hole Nut Carbon Steel Nut Bed Bolt Nut Barrel Nut Furniture Accessories Tools Parts

<https://www.aliexpress.com/item/4000071798728.html?spm=a2g0o.cart.0.0.40063c00YK5xm&mp=1>

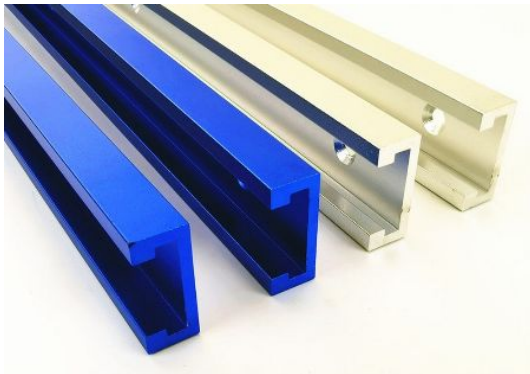


Take the one with the small screw head (Version B). One of the sticks has to be turned around so they face each other (see pictures)

Protect them with any foam mat that you can glue to it, I found a soft matt in a grocery store. one side cork one side soft foam. took the cork side to glue the soft side to protect the headstock from damage

- 2x Miter Track Stop for T-Slot T-Tracks Woodworking DIY Tool Miter Track Stopper Aluminum Alloy Chute Limit Flip Manual

<https://www.aliexpress.com/item/32974503421.html?spm=a2g0s.9042311.0.0.27424c4dYzbPNQ>



I took them in blue because I think they look cool, but there are also silver ones. (If you will have lots of basses with long necks on the bench, take instead of the 600mm, the 800mm)

- 1x 300 mm Headstock part
- 1x 400 mm Body Part
- 1x 600 mm Neck part (or 1x800 mm)
- Aluminium Alloy T-track Slot Miter Track Jig Fixture for Router Table Band Saw Woodworking DIY Tool Length 300/400/500/600/800MM

<https://www.aliexpress.com/item/33045408734.html?spm=a2g0s.9042311.0.0.27424c4dYzbPNQ>



圆形12片装  
单片直径4.5x4.5x0.3cm

Protecting Furniture Leg Feet For Chair/

★★★★★

US \$0.1

Instant discount

Color: Army green



Quantity:

1

Free Shipping



### Use these on the four Leveling Feet Pads

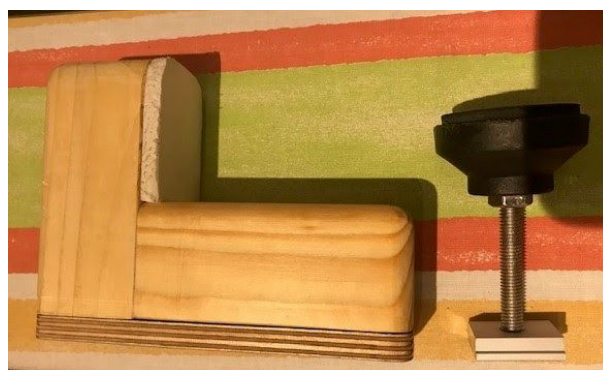
- 1x 12 pcs  
Protecting Furniture Leg Feet TRP Rubber Pads Felt Pads Anti Slip Self Adhesive For Chair/Table/Desk/Wooden floor mat TSLM1 BTZ1

<https://www.aliexpress.com/item/32844268766.html?spm=a2g0s.9042311.0.0.27424c4dX8U0jE>

Get some foam mat (max 5-10mm thick) to protect all sharp corners or edges of the construction. I had them by hand. See headstock vise.



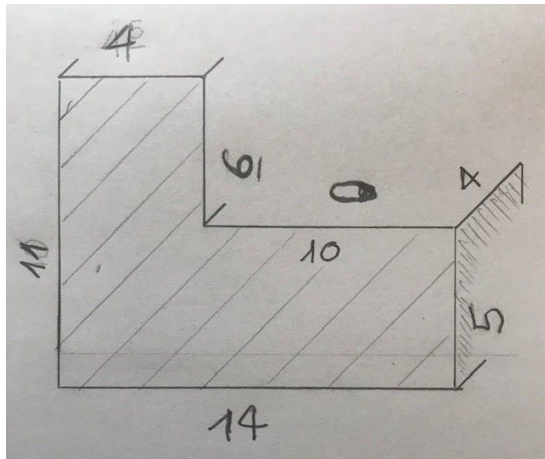
### Usage:



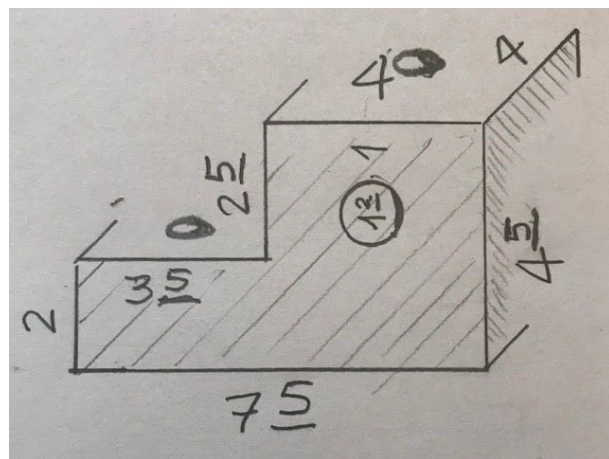


The wood parts are about these sizes, but I mainly adapted them to the screws and metal parts in size. **All measurements in cm!**  
Round the edges of the wood where you can, and oil them for protection.

Body support 2x:



Neck support 2x



Adapt the measurement for this wood part to the headstock vise, wood height= 2cm:



And finally I found this little handy part to get the tension belt in place.



Again

- I am open for constructive additions or improvements of this construction. Please write me (FB Chat) if you find a better solution to do things or a detail of it.

That's it.

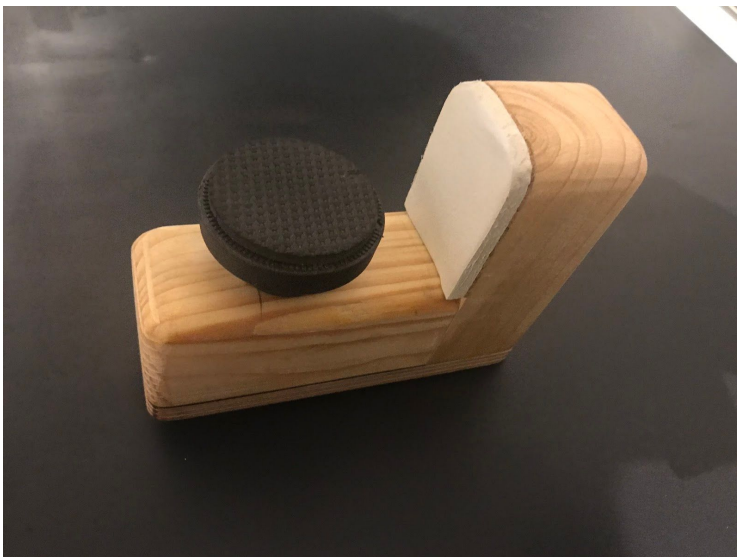
---

**ADDENDUM:**

As expected here some modifications. Using the bench I realized the body supports were not handy. The support feet pads were at the same time the parts for the clamping. Once a guitar was on them, it was cumbersome to tighten them under the body. So I went back to my original idea to have two independent parts, a) one for the support and b) one for the clamping. You only need two additional of these. I corrected the amount above to 4pcs instead of 2.



So here it is, before:



And now





Make the length of the cut-out only as much as to be able to turn around the screw knob (here on the right). The height of the cut-out is adapted to the length of the screw knob.

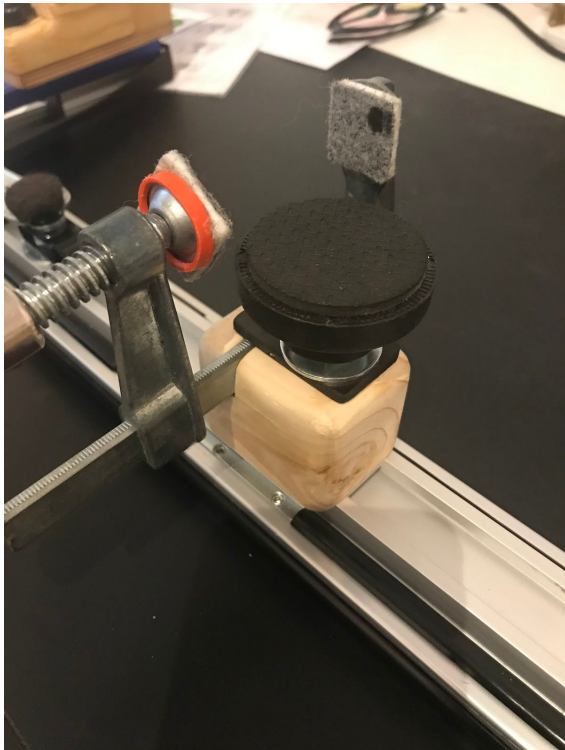


I finally ended up using the original hole for the support, but I can switch to the new one behind it. This solved the problem with fiddling around under the body.

## Neck holder (i.e. bolt-on neck)

A new piece to the family. Basically you can exchange this with the hardware of the first support of the neck, when you want to work on a single neck with no body. Here the support is also the clamp mechanism.

**The wood is: 6 x 4 x 4.5cm height**







have fun and rock on!  
Nino M.